

## Villa Outdoor Station



### Features

- Stainless steel panel
- Color 1.3 MP CMOS camera, support 120° wide angle lens and angle adjusting
- Support night vision
- Call indoor monitor and management centre
- Support unlock remotely
- Support visitor leaving audio and video function message
- Support group call function
- Perfect access to IP network by VTNC3000A(reserved)
- Flush mounted & Surface mounted
- support vandal proof

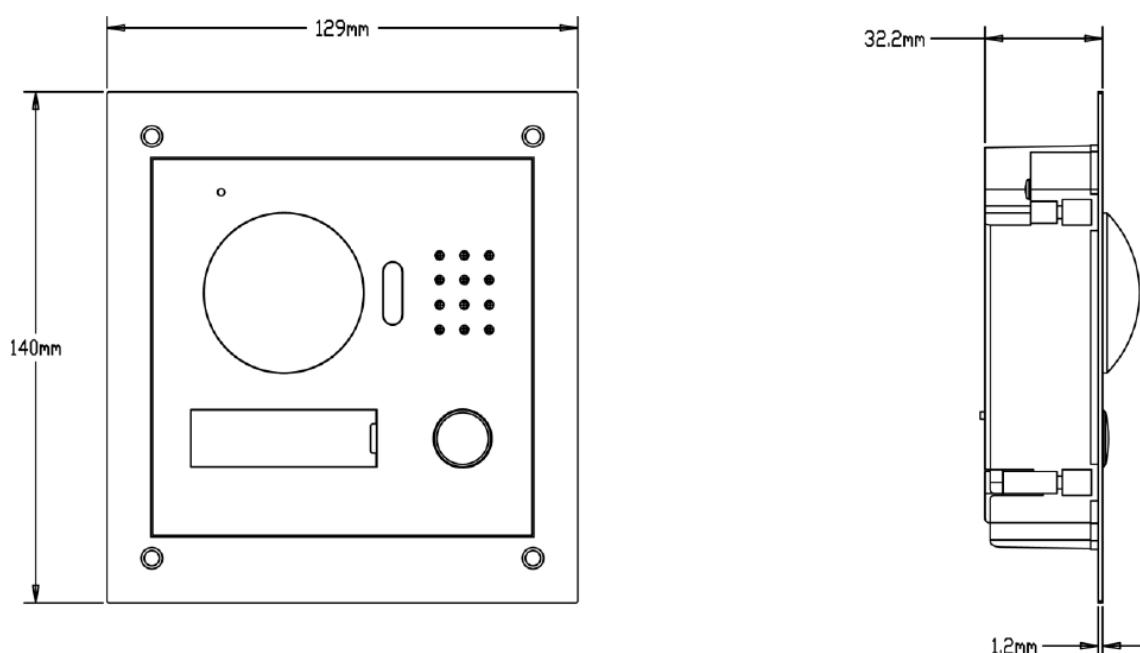
### Specifications

Mode		DH-VTO2000A
System	Main Processor	Embedded micro processor
	Operation System	Embedded LINUX OS
Video	Video Compression Standard	H.264
	Input/Approaching Induction	1.3MP CMOS HD camera
	Night Vision	Support
Audio	Audio Input	Omnidirectional Mic
	Audio Output	Built-in speaker

## DHI-VTO2000A-2

	<b>Bidirectional Talk</b>	Support dual-way bidirectional talk
<b>Operation Mode</b>	<b>Input</b>	Single key input
	<b>Door Lock Status Check</b>	Support (optional)
<b>Connection</b>	<b>2-Wire</b>	
<b>Network</b>	<b>Ethernet</b>	10M/100Mbps Self-adaptive
	<b>Network Protocol</b>	TCP/IP
<b>General</b>	<b>Power</b>	DC 24V
	<b>Power Consumption</b>	Standby $\leq 1W$ , work $\leq 7W$
	<b>Working Environments</b>	- 40°C ~ +60°C
	<b>Relative Humidity</b>	10% ~ 90%RH
	<b>Dimensions</b>	129.9mm × 32.2mm × 140mm
	<b>Weight</b>	0.8Kg;

## Dimensions



### Dahua Technology Co., Ltd.

1199BinAn Road, Binjiang District, Hangzhou, China

Tel: +86-571-87688883

Fax: +86-571-87688815

## DHI-VTO2000A-2

---

Email: [overseas@dahuatech.com](mailto:overseas@dahuatech.com)

[www.dahuatech.com](http://www.dahuatech.com)

\*Design and specifications are subject to change without notice.