

PIR Detector



The motion detector is designed to detect movement in a protected area by detecting changes in infra-red radiation levels caused, for example, when a person moves within or across the devices field of vision, a trigger radio signal will be transmitted. Inclusion of this motion detector on other manufacturer's wireless controller menu allows remote turn-on of connected modules and their connected lighting when the detector is triggered.

Main Features

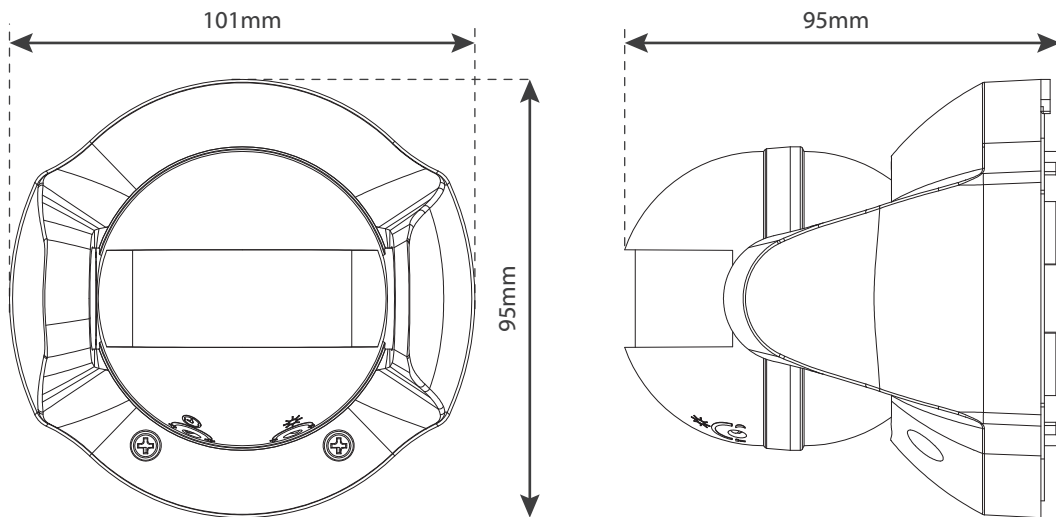
- Wireless two-way communication
- Comply with S2 security solution
- Auto-pairing to the gateway
- VR adjustment for time & lux setting
- Anti-tamper protection
- Low battery indication
- IP44 water proof for sheltered outdoor use
- Adjustable PIR tilt angle



Brief Product Specifications

Function	PIR detector
Frequency range	868.42 MHz / 908.42 MHz
RF protocol	Z-Wave Plus, SDK 6.71
RF range (open space)	>100m
Battery type	1.5V alkaline AA x 3
PIR detection angle, range	100° @ 10m

IP rating	IP44
Operation temperature	-10 - 40°C
Operation humidity	85% RH max
Dimension (mm)	101(W) x 95(D) x 95(H)
Weight	184g



Confidentiality Statement

The purpose of this document is to provide general information about a product or products of Everspring Industry Co., Ltd. All information contained in this document is the confidential property of Everspring Industry Co., Ltd. Except where expressly authorized by Everspring Industry Co., Ltd., alteration, reproduction, redistribution, or transmission of this document by any means is strictly prohibited.