

!!! OTA AND POWER METERING

HEATIT Z-TRM2

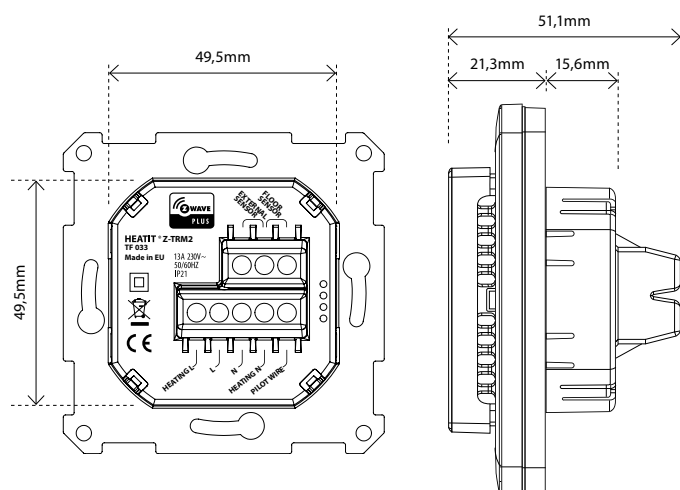


Heatit Z-TRM2 is an electronic thermostat for electrical floor heating. The thermostat has a built-in Z-Wave chip that can be connected with Home Automation systems like Fibaro, Futurehome, Smarthings, Homeseer, Vera, Zipato etc.

Heatit Z-TRM2 is equipped with a single pole switch and it fits most System 55 frames (Elko RS16, Schneider Exxact, Gira, Jung etc.). The thermostat can withstand a load of max 13A /2900W at 230V. At higher loads the thermostat must control a contactor. The thermostat may be connected to two wired external sensors.

The thermostat has the capacity of up to 8 associations (relays, wall plugs etc.).

The thermostat is designed for electrical heating.



PRODUKTINFO Heatit Z-TRM2

FEATURES

- Floor sensor
- Built-in room sensor
- External room sensor
- Temperature limiter
- Weekly program/setback via gateway or pilot wire
- Multilevel sensor command class
- Firmware updates (OTA)
- Supports encryption mode: S0, S2 Authenticated Class, S2 Unauthenticated Class
- Power metering
- LED-diode
- Can be used in connection with different NTC-sensors
- Lock mode/child lock
- Calibration
- 8 associations

TECHNICAL DATA

| | |
|---|--|
| Protocol | Z-Wave |
| SDK | 6.71.00 |
| Rated voltage | 230V 50/60Hz |
| Max load | 2900W (resistive load) 750W self-limiting heating cable |
| Max current | 13A |
| Power consumption | <2,0W |
| Min/max installation temp | -20°C - 40°C |
| Min/max operating temp | 5°C - 40°C |
| Temperature intervals | Floor sensor 5°C - 40°C External room sensor 5°C - 40°C |
| Hysteresis | 0,3°C - 3,0°C (default 0,5°C) |
| Switch | Single-pole switch |
| Included in package | Floor sensor, Art. no. 54 301 07 |
| Compatible with NTC sensors with values | 10, 12, 15, 22, 33 and 47 kΩ @ 25°C |
| IP Class | IP 21 |
| Approvals | Z-Wave Plus CE EN 60730-1, EN 60730-2-9 EMC 2014/30/EU, RoHS 2011/65/EU LVD 2014/35/EU |

TERMINAL

Use 1,5mm² or 2,5mm² according to load.

WARRANTY

2 years

| ART. NO. WHITE | ART. NO. BLACK | PRODUCT | Z-WAVE FREQUENCY |
|----------------|----------------|------------------------------------|------------------|
| 54 305 55 | 54 305 56 | Heatit Z-TRM2 thermostat 2900W 13A | EU 868,4 MHz |
| 99 305 98 | 99 305 88 | Heatit Z-TRM2 thermostat 2900W 13A | BR 921,4 MHz |
| 99 305 97 | 99 305 87 | Heatit Z-TRM2 thermostat 2900W 13A | US 908,4 MHz |
| 99 305 96 | 99 305 86 | Heatit Z-TRM2 thermostat 2900W 13A | RU 869 MHz |
| 99 305 95 | 99 305 85 | Heatit Z-TRM2 thermostat 2900W 13A | US2 916 MHz |
| 99 305 94 | 99 305 84 | Heatit Z-TRM2 thermostat 2900W 13A | IND 865,2 MHz |

Product specifications may change without further notice. All electrical installations must be carried out by a licensed electrician. The product must be installed in accordance with national building codes and our installers manual.