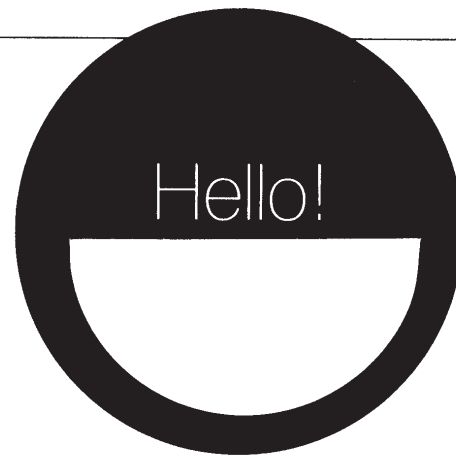


1 Download the free SmartThings app for Android, iOS, or Windows

2 Create an account in the app

3 Follow the on-screen instructions in the app to connect your Hub

4 Enter the Welcome Code below when prompted



SmartThings Hub



Quick-Start Guide

One App + One Hub + All Your Things

Creating a safer, smarter home has never been easier. Start with the SmartThings app and Hub, add your favorite products, and control them from another room or another country.



App

The free SmartThings app lets you get important notifications about what's happening, control things in every room, and run your home from your phone.

Hub

The Hub sends commands from the free app to your connected things, and sends important alerts from your things to your smartphone.

Things

Add devices from SmartThings' family of sensors or hundreds of other connected products to create a smart home that fits your lifestyle.

Meet Your SmartThings Hub

SmartThings lets you easily control, monitor, and secure your home from anywhere in the world. At the center of it all is the SmartThings Hub.



The Brain of Your Smart Home

Like a live-in translator, the Hub wirelessly connects all of the different sensors around your home so that they can send important information to your smartphone, and to each other.

The SmartThings Hub connects to your Internet router via the included Ethernet cable. The Hub has a ZigBee, Z-Wave, and Bluetooth radio, and also supports IP-accessible devices—providing customers with the widest range of supported devices of any smart home platform. In addition, the Hub contains replaceable batteries that allow it to continue operating in the event of a power outage.

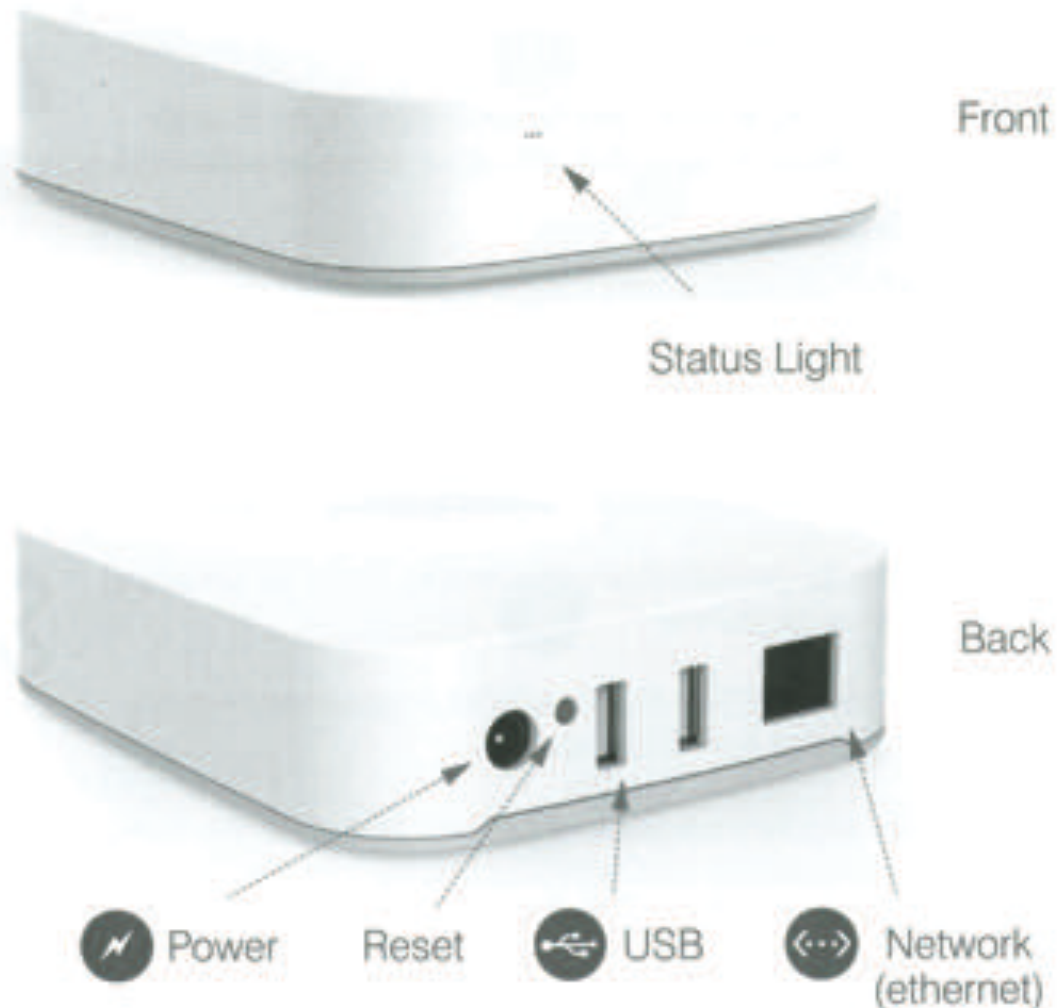
For a list of products that have been tested and verified as compatible, please visit <http://www.smarthings.com/product/works-with-smarthings/>.



So Easy Anyone Can Do It

As with all SmartThings devices, the Hub requires no wiring or messy installation—just a simple setup that anyone can do.

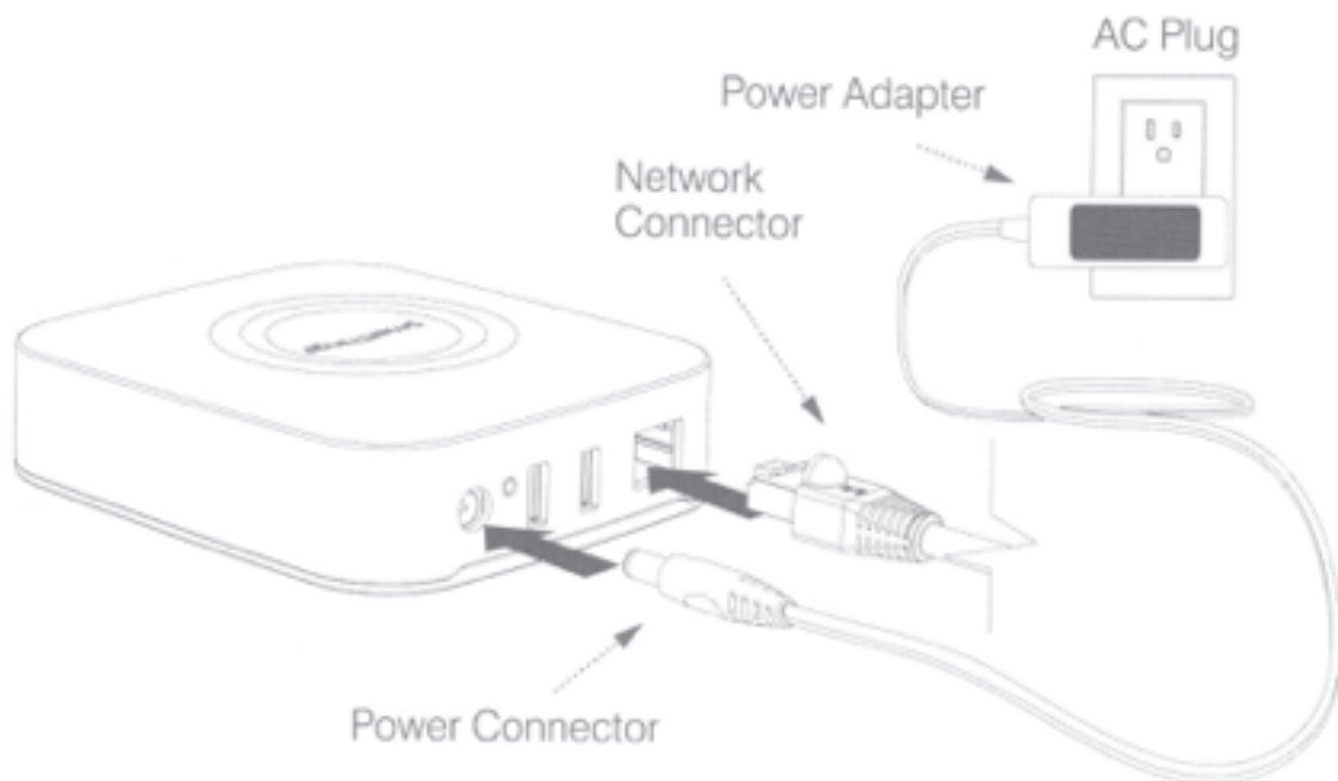
Simply plug in the included Ethernet cable from your Hub to your Internet router, attach the power cord to the wall, and then use the free SmartThings app to start connecting your devices. Easy peasy.



Simple Setup

The SmartThings Hub works best if installed in a central location to where your SmartThings will be connected. The recommended separation distance from the user for this equipment is 7.6 inches (20 cm).

- Connect your SmartThings Hub to your Internet router using the included Ethernet cable.
- Plug in the power adapter to an outlet and attach the power connector to the back of the Hub.
- Continue setting up your Hub by going to www.SmartThings.com/start on your smartphone and following the on-screen instructions.

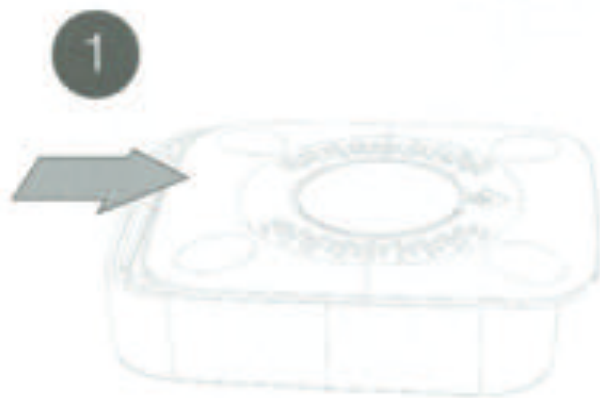


Battery Backup Installation

Disconnect the network cable and power adapter or any other connected peripherals before installing batteries (4 x AA):

- Slide bottom cover off.
- Insert 4 AA batteries.
- Slide bottom cover on till it snaps in to place.

NOTE: Hub does not recharge batteries.



Disconnect the network cable and power adapter or any other connected peripherals if any of the following conditions exist:

- The power cord or connector is damaged or frayed.
- You want to clean the Hub (see Important Safety Instructions).
- The Hub or attached cables are exposed to rain, water/fluids, or excessive moisture.
- The Hub power adapter is damaged or has been dropped and you suspect it needs to be serviced.

Avoid installing the SmartThings Hub near or inside sources of metal, radio, or electromagnetic interference.



Vermeiden Sie die Installation des SmartThings Hubs in oder in der Nähe von Metall, Funkantennen, oder anderen elektromagnetischen Störsendern

Éviter l'installation du Hub SmartThings a à proximité ou a à l'intérieur d'objets métalliques ou de sources d'interférences radioélectriques ou électromagnétiques.

WARNING: No user-serviceable parts inside. Refer all servicing to qualified service personnel.



IMPORTANT CONSUMER INFORMATION: Please read before activating or using the Arrival Sensor.

WARNING: This product contains chemicals known to the State of California to cause cancer and reproductive toxicity. For more information, please call 1-800-SAMSUNG (726-7864).

Important Safety Instructions

- Read, keep, and follow these instructions.
- Heed all warnings.
- Do not use this product near water or expose the product to dripping or splashing of any water or liquid.
- Clean only with a dry cloth.
- Do not install near any heat sources such as radiators, heat registers, stoves or other apparatus (including amplifiers) that produce heat.
- Only use attachments and accessories specified by the manufacturer.
- Read our Product Usage Guidelines at: <http://SmartThings.com/guidelines>

Wichtige

- Lesen, behalten und folgen Sie diesen Anweisungen.
- Beachten Sie alle Warnhinweise.
- Verwenden Sie das Produkt nicht in der Nähe von Wasser und vermeiden Sie Tropfen oder Spritzer von Flüssigkeiten jeder Art.
- Säubern Sie das Gerät ausschliesslich mit einem trockenen Tuch
- Vermeiden Sie die Installation in der Nähe von Wärmequellen wie Heizungen, Öfen oder anderen Geräten (inkl. Verstärkern), die Hitze produzieren.
- Verwenden Sie nur Hersteller zertifiziertes Zubehör.

Règles de sécurité:

- Lire, conserver et suivre ces instructions.
- Respecter toutes les consignes de sécurité.
- Nettoyer l'appareil uniquement avec un chiffon sec.
- Ne pas utiliser à proximité et éviter tout contact avec l'eau ou un quelconque liquide.
- Ne pas installer a proximité d'une source de chaleur telle que radiateur, poêle ou autres appareils (incluant les amplificateurs) qui produisent de la chaleur.
- Utiliser uniquement des accessoires recommandées par le fabricant.