

ezGuard Air

1080P Indoor/Outdoor Bullet Camera



Introduction

EZVIZ products have been designed for your entertainment, communication, security. When you install the EZVIZ APP on your smartphone or tablet, EZVIZ devices will be connected to the cloud via their QR code and will immediately be online. With EZVIZ you can talk to your loved ones, watch your child's progress when you are away, keep an eye on your home, interact with your four-legged friends, prevent household accidents.

Main Features



FHD 1080p



Night Vision Up to 100ft/30M



Dual-Stream



Waterproof Mic Pickup 16ft/5M

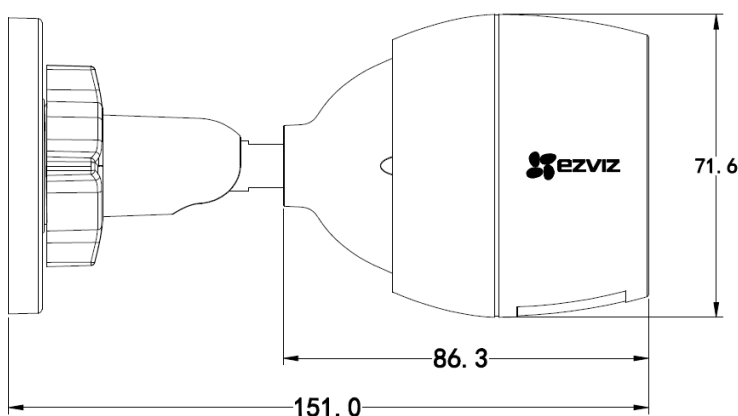


Support PoE
Power supply



Dustproof and Waterproof IP66

Dimension(mm)



Specifications

Model	CS-CV310-B0-3B1ER
Camera	
Image sensor	1/3" 2MP Progressive Scan CMOS
Shutter Speed	Self-adaptive shutter
Lens	2.8mm@ F2.0, view angle:104° (Horizontal), 118°(Diagonal) 4mm@ F2.0, view angle:87° (Horizontal), 102°(Diagonal) 6mm@ F2.0, view angle:54° (Horizontal), 62°(Diagonal)
Lens Mount	M12
Day & Night	IR cut filter with auto switch
DNR	3D DNR
WDR	Digital WDR
Compression	
Video Compression	H.264
H.264 Type	Main Profile
Video Bit Rate	HD; balance; and fluency. Adaptive bit rate.
Image	
Max. Resolution	1920x1080
Frame Rate	50Hz @ 25fps, 60Hz @ 30fps; adaptive frame rate of network transmission
Image setting	Brightness, contrast, saturation, etc. (Configure via EZVIZ Studio)
BLC	Support
Network	
Smart Alarm	Intelligent motion detection
Protocol	Ezviz cloud proprietary protocol
Interface Protocol	Ezviz cloud proprietary protocol
General Function	Anti-Flicker, Dual-Stream, Heart Beat, Mirror Image, Password Protection, Watermark
Interface	
Wired network	1RJ45 Ethernet Port ,adaptive rate of 10/100Mbps
General	
Operating Conditions	-22°F to 140 °F (-30°C ~ 60°C), Humidity 95% or less (non-condensing)
Power Supply	DC 12V±10%
Power Consumption	MAX. 6W
IP Grade	IP66
IR Range	MAX. 100ft
Dimensions (mm)	0.49ft x 0.23ft x 0.23ft (151mm x 71.6mm x 71.6mm)
Weight	0.734 lb (333g)