



# MULTIREG thermostat

## Installation and operating instructions



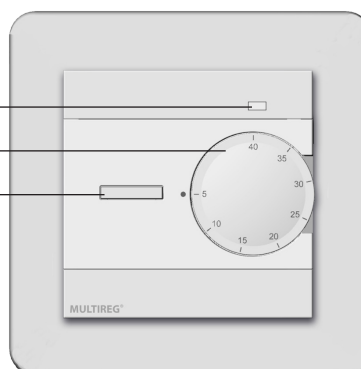
### MULTIREG THERMOSTAT - SETUP

This manual describes the most essential functions and technical specifications of the thermostat. These instructions should help the user to control the thermostat, and the electrician to install and set up the thermostat.

Bi-LED diode

Adjustment wheel

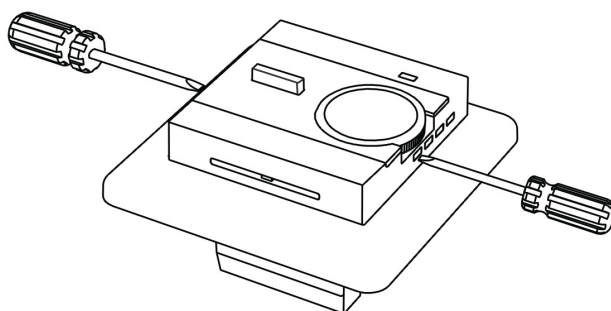
On/Off button



### INSTALLATION

Installation must be done by a qualified electrician in accordance with wiring and building regulations. Before installation, disconnect any power to the thermostat's mains. During installation of the thermostat, power to the thermostat must be disconnected or isolated AT ALL TIMES!

Start by removing the front cover by pushing the release lips. Be careful so as not to damage the thermostat.



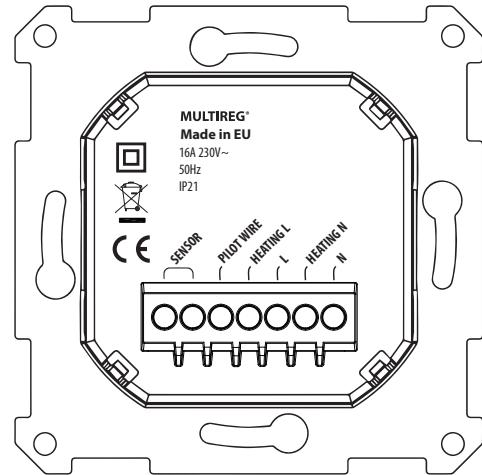
Use e.g. a small slotted screwdriver. The front cover and the frame can now be removed.

## 2. Connecting the thermostat

The thermostat must be connected to the power source according to the connection diagram. All heating systems must be equipped with a residual current disrupter with 30mA. Max load for the thermostat is 16A/3600W at 230V. If the load is higher, the thermostat must be connected to a contactor. The thermostat does not have galvanic insulation between high and low current. The sensor must therefore be considered as live (230V) and needs to be installed in accordance with the rules for high current installations and national installation requirements.

Torque:	Max. 2Nm
Clamp 1+ 2:	Sensor - Floor sensor
Clamp 3:	Pilot wire (connected to L for setback temperature)
Clamp 4:	Heating L
Clamp 5:	L
Clamp 6:	Heating N
Clamp 7:	N

**Caution: When reattaching the thermostat cover, make sure the ventilation on the top and bottom of the thermostat is not covered up.**



## 3. Setback temperature

The Multireg S-Control thermostat does not have a built-in setback temperature option, but by connecting an external timer to the S and L clamps, the temperature can be lowered by 3°C at desired times.

## 4. Calibrating the temperature

When connecting the floor heating system for the first time, the temperature should be set at a maximum of 15°C to 20°C. The thermostat should be calibrated after 2-3 days. Pull out the adjustment wheel carefully (without turning it) until it comes loose. Use a thermometer to check the actual temperature, and push the adjustment wheel back onto the thermometer in accordance with the measured temperature. If the floor heating has been switched off during the summer, this procedure should be repeated when it is switched back on.

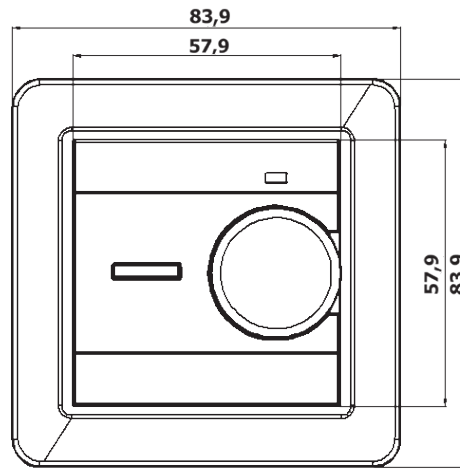
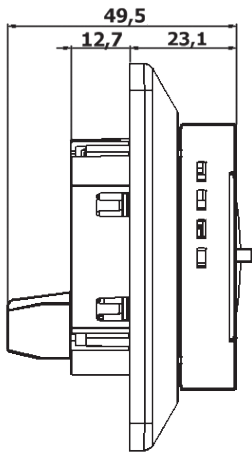
## 5. Bi-LED diode

- Green light when the thermostat is in a standby mode.
- Constant red light when the relay is engaged and the power is on.
- Blinking red light when there is a sensor malfunction or the floor sensor is disconnected.

## 6. Technical data

Voltage:	230 VAC AC ± 15% 50 Hz
Max. load:	3600W (resistive load)
Max. current:	16 A
Power consumption:	0,5W
IP-class:	IP 21
Power regulator:	Time cycle: 0-30 min
Min/Max inst. temp:	-20°C - +60°C
Min/Max oper. temp:	0°- 40°C
Temperature intervals:	Floor sensor: 5°C - 40°C

Hysteresis:	0.5°C
Sensor values:	0°C 29,1 Kohm
	10°C 18,6 Kohm
	15°C 15,1 Kohm
	20°C 12,2 Kohm
	25°C 10,0 Kohm
Switch:	2-pole switch
Color:	White RAL 9010
Floor sensor:	Length 3 meters. The cable can be extended 10 meters by using a proper installation cable.



ART. NO.	PRODUCT	COLOR
9930333	Multireg thermostat 3600W 16A	White RAL 9010
9930344	Multireg thermostat 3600W 16A	White RAL 9003
9930448	Plastic kit for Multireg S-control thermostat	Black RAL 9011
5430311	Frame for Multireg	White RAL 9003
5430312	Frame for Multireg	Black RAL 9011
5430108	Floor sensor Ø3mm 6m NTC 10 kOhm	
5430109	Floor sensor Ø4mm 3m NTC 10 kOhm	
5430128	External room sensor NTC 10 kOhm	
5430129	External room sensor, mini, NTC 10 kOhm	

Thermo-Floor AS can not be held liable for typographical errors.

All electrical installations must be carried out by a licensed electrician.

The product must be installed in accordance with the most recent NEK 400 and our installation guide.

# ThermoFloor

Varmesystemer



**Thermo-Floor AS**

Østre Totenveg 24, NO-2816 Gjøvik, Norway

Phone: +47 61 18 77 77

post@thermo-floor.no www.thermo-floor.no